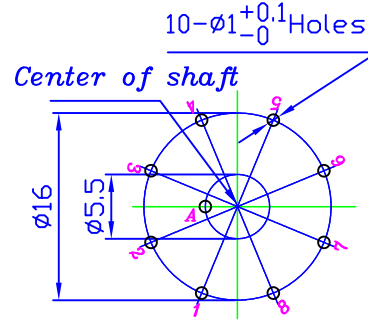
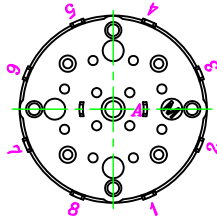
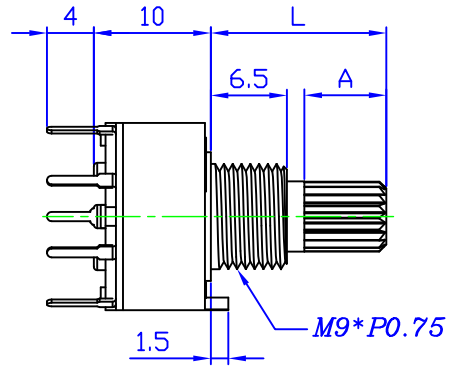
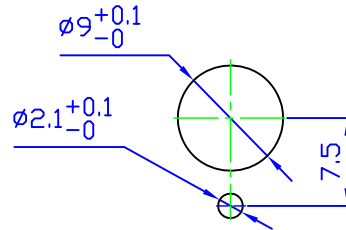
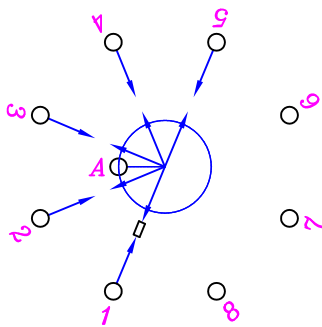


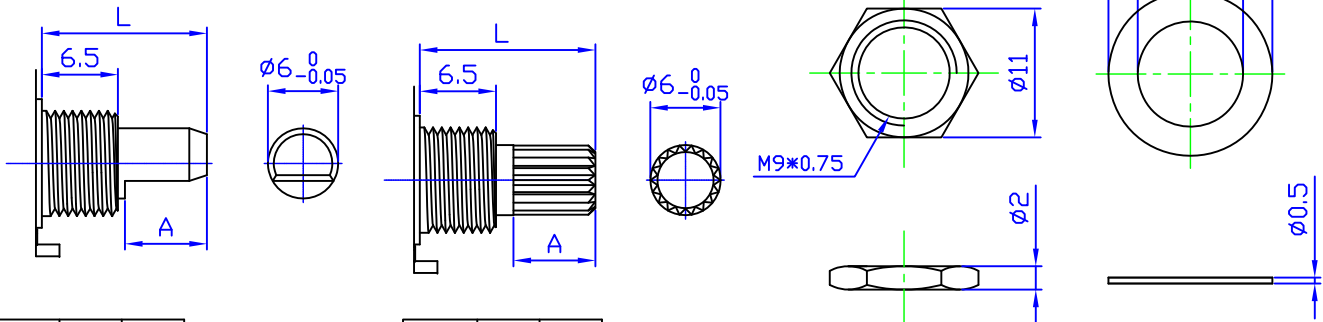
Shaft shown in full CCW position



Mounting hole detail



Casing hole detail



L	15.0	20.0
A	7.0	12.0

L	15.0	20.0
A	7.0	12.0

1			NAME	SR16-1-1-5P- X				
2				DRAWING NO	SR16P115			
3					DRAWN BY	BGSHU		
NO	DATE	DESCRIPTION	DRAWN BY	CHECK BY		APPROVED BY		
TOLERANCE		SCALE				2011.05.03		
less than 10 ±0.3		1:1						
above 10-30 ±0.5		DIMENSION						
above 30-100 ±1.0		mm						

MODEL NAME: SR16 SERIES
型号: SR16 系列

1. TEST CONDITIONS 测试条件

Standard test conditions shall be 5–35°C in temperature and 45–85%RH in humidity. Should any doubt arise in judgment test shall be conducted at 20±2°C and 65±5%RH.

标准试验条件: 温度5~35°C, 湿度45-85%RH。

万一有任何疑问出现时, 测验标准为: 温度20±2°C, 湿度65%±5%RH。

2. OUTSIDE DIMENSION 外形尺寸

Append drawing. 参考图纸。

3. MECHANICAL PERFORMANCE 机械特性

Item 项目	Test Condition 测试条件	Specification 规格
3.1 Operating force 操作力	Operation temperature: -10°C~+70°C Storage temperature: -40°C~+85°C 操作温度: -10°C~+70°C 储存温度: -40°C~+85°C	300~600 gf.cm 300~600 gf.cm
3.2 Changeover angle 切换角度	N/A 不适用	45° ±3° 45° ±3°
3.3 Bushing nut tighting strength 轴套螺牙强度	N/A 不适用	more than 5 kgf.cm 大于 5 kgf.cm
3.4 Shaft lever stop strength 轴止档强度	N/A 不适用	more than 3 kgf.cm 大于 3 kgf.cm
3.5 Shaft lever strength 轴强度	Pulling and pushing 推和拉	more than 5 kgf.cm 大于 5 kgf.cm

PREPARED BY

BGSHU

REVIEWED BY

APPROVED BY



台灣精靈電子股份有限公司

TAIWAN GENIUS ELECTRONIC CO., LTD

MODEL NAME: SR16 SERIES
 型号: SR16 系列

Item 项目	Test Condition 测试条件	Specification 规格
3.6 Terminal strength 端子强度	A static load of 500gf shall be applied to the tip of the terminal in a desired direction for one minute. The number of tests shall be one per terminal. 静态负荷500gf于端子的顶端，测试时间为一分钟。测试数量为一个产品的端子数。	N/A 不适用

4. ELECTRICAL PERFORMANCE 电气特性

Item 项目	Test Condition 测试条件	Specification 规格
4.1 Rating 额定值	N/A 不适用	DC 16V 0.3A 直流电压 16V 0.3A
4.2 Contact resistance 接触阻抗	Shall be measured at 1KHz±200Hz (Max 20mV,Max 50mA)or 5V DC, 1A by a voltage drop method. 使用1KHz±200Hz测试（最大20mV，最大50mA）及5V DC,1A 压降法测试	Less than 50mΩ 不大于 50mΩ
4.3 Insulation resistance 绝缘阻抗	Shall be measured by applying 500V DC,between all terminals and between the terminal and the frame for 1 minute ±5sec. 端子与支架之前使用500V DC电压，且保持1分钟±5秒。	More than 100MΩ 不小于 100MΩ
4.4 Withstand voltage 耐电压	500V AC(50~60Hz,2mA) shall be applied between all terminals and the frame for 1 minute ±5sec. 使用500V AC(50~60Hz,2mA)电压，端子与支架之前进行测试，且保持1分钟±5秒。	No breakdown 无击穿

	PREPARED BY	BGSHU
	REVIEWED BY	
	APPROVED BY	



MODEL NAME: SR16 SERIES
 型号: SR16 系列

5. DURABILITY 耐久性

Item 项目	Test Condition 测试条件	Specification 规格
5.1 Operating life under no load 使用寿命（无负载）	10,000 cycles of operation shall be performed continuously at a rate of 10~15 cycles per minute without load After operating life test ,shall be in accordance with the following specifications 10000个周期, 运行期间不间断, 运行速度每分钟10~15次。	Contact resistance: less than 150mΩ Insulation resistance: more than 50MΩ Withstand voltage: 250V AC per 1 minute Operating force: less than +10%~-30% for initial operating force 全阻变化小于±10% 接触阻抗小于150mΩ 绝缘电阻大于50MΩ 耐电压250V AC测试1分钟 操作力不超出+10%~-30% 初始力
5.2 Operating life under load 5.2 使用寿命（负载）	10,000 cycles of operation shall be performed continuously at a rate of 10~15 cycles per minute with resistive load of DC 16V 0.3A After operating life test ,shall be in accordance with the following specifications 10000个周期, 运行期间不间断, 运行速度每分钟10~15次, 使用DC 16V 0.3A的负载进行	Contact resistance: less than 1000mΩ Other specifications are same as operating life under no load 接触阻抗小于500mΩ 其它规格也无负载一样

	PREPARED BY	BGSJU
	REVIEWED BY	
	APPROVED BY	

MODEL NAME: SR16 SERIES
 型号: SR16 系列

6.WEATHER PERFORMANCE 耐候性

- 6.1 HUMIDITY TEST TESTING POTENTIOMETERS BEING KEPT IN THE CONDITIONS AT $40\pm 2^{\circ}\text{C}$ AND 90~95%RH FOR 240 HOURS IN ANORMAL AMBIENT CONDITION FOR AN HOUR.THEN TO BE MEASURED WITH IN AN HOUR.
 湿度测试 使用温度 $40\pm 2^{\circ}\text{C}$ ，湿度90~95%RH的测试条件240小时后，放置也常温下一小时后进行测试。
- 6.2 HEAT TEST TESTING POTENTIOMETERS BEING KEPT IN THE CONDITIONS AT $70\pm 2^{\circ}\text{C}$ IN TEMPERATURE FOR 16 HOURS IN A NORMAL AMBIENT CONDITION FOR AN HOUR.THEN TO BE MEASURED WITH IN AN HOUR.
 高温测试 使用温度 $70\pm 2^{\circ}\text{C}$ 的测试条件16小时后，放置也常温下一小时后进行测试。
- 6.3 COLD TEST TESTING POTENTIOMETERS BEING KEPT IN THE CONDITIONS AT $-10\pm 2^{\circ}\text{C}$ IN TEMPERATURE FOR 16 HOURS IN A NORMAL AMBIENT CONDITION FOR AN HOUR.THEN TO BE MEASURED WITH IN AN HOUR.
 低温测试 使用温度 $-10\pm 2^{\circ}\text{C}$ 的测试条件16小时后，放置也常温下一小时后进行测试。

THROUGH THE ABOVE TESTS,THE PRODUCT CAN ACHIEVE:
 通过以上的测试,该产品能达到以下要求:

- 1.INSULATION RESISTANCE MORE THAN 50 MΩ AT 500 V DC
 绝缘测试 DC 500V电压，不小于50MΩ
- 2.WITHSTAND VOLTAGE FOR 1 MINUTE OR MORE AT 250 V AC
 耐电压 使用AC 250V电压测试一分钟
- 3.CONTACT RESISTANCE < $\pm 20\%$
 接触阻抗 < $\pm 20\%$
- 4.TORQUE CHANGE < $\pm 20\%$
 操作力 < $\pm 20\%$

	PREPARED BY	BGSJU
	REVIEWED BY	
	APPROVED BY	